

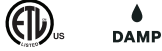




Saga Pendant, Solo

Technical Specifications

Materials	Aluminum, LDPE
Product weight	16 lbs
Lead time	Pre-order
Integrated LED	3,578 lm / 1800 K - 3000 K / 50.2 W 95+ CRI / warm on dim
Dimmer	TRIAC / ELV / 0-10V
Stem length	6 ft before a seam
Input Voltage	120-277V
Certifications	ETL listed, damp-rated

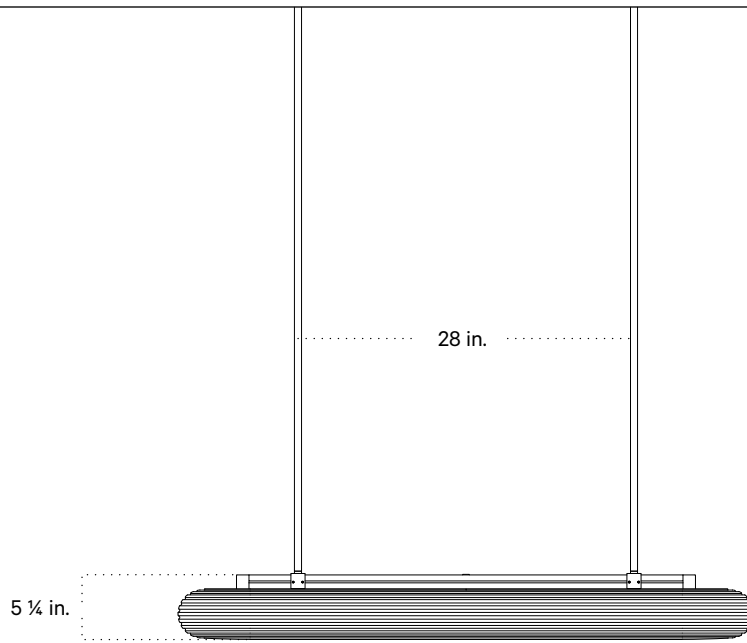


Notes

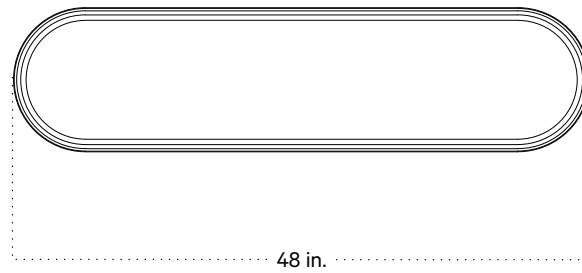
- 82.5 inch OAL is included in the price of this fixture. Additional length is priced per 6 ft.
- The minimum OAL for this fixture is 15 inches, and the maximum with no seam is 82.5 inches. With an additional stem the maximum OAL is 154.5 inches with the seam at 77.25 inches.
- Stems are cut on-site by the installer, a pipe cutter is provided with the fixture.
- The LED lifetime is 50,000 hours.
- The driver is contained within the fixture and only the larger canopy provided with the fixture requires a connection to a junction box.
- If installing on a sloped ceiling please inquire for customization.

Updated October 20, 2023

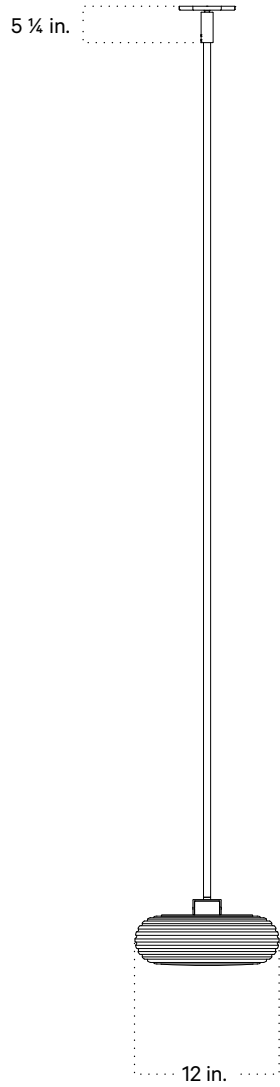
Front View



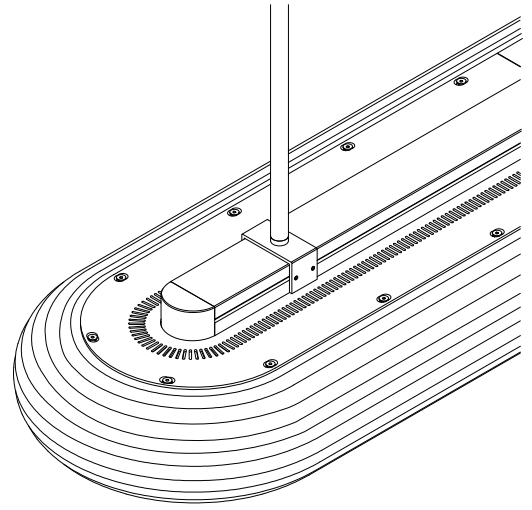
Bottom View



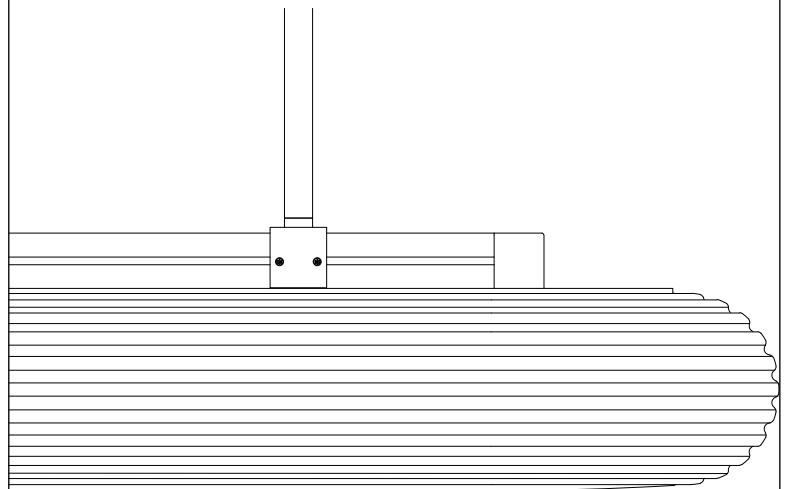
Side View



Stem Detail

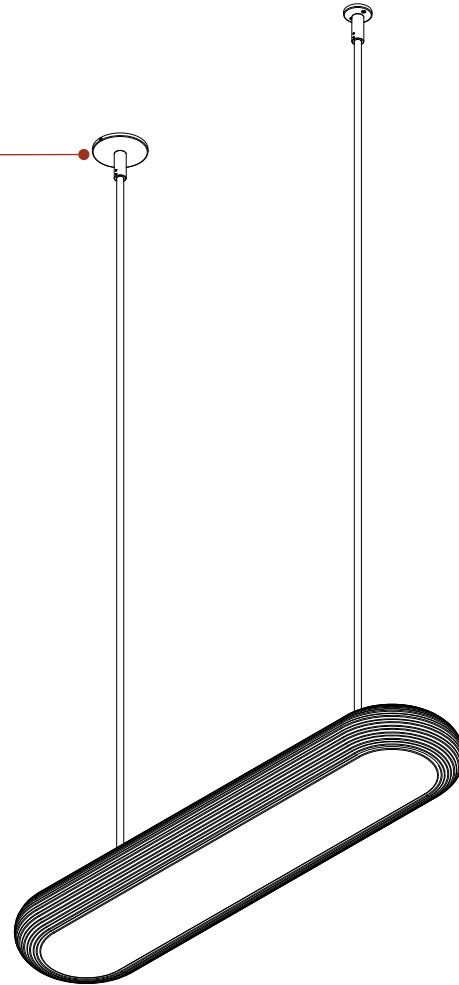


Stem Detail



Isometric View

Large canopy
connects to J-box.



Finish Options

Brass, glass, and ceramic samples made or finished by hand may exhibit variability. Available for purchase at incommonwith.com/finishes.

Painted Metal



Black



Bone



Brick

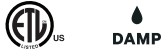




Saga Pendant, Duo

Technical Specifications

Materials	Aluminum, LDPE
Product weight	19 lbs
Lead time	Pre-order
Integrated LED	4,651.4 lm / 1800 K - 3000 K / 65.3 W 95+ CRI / warm on dim
Dimmer	TRIAC / ELV / 0-10V
Stem length	6 ft before a seam
Input Voltage	120-277V
Certifications	ETL listed, damp-rated

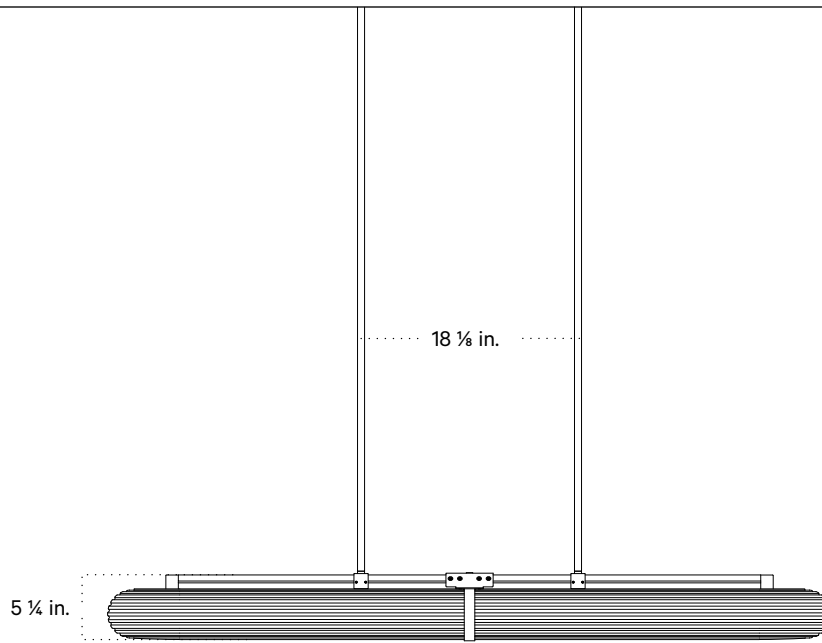


Notes

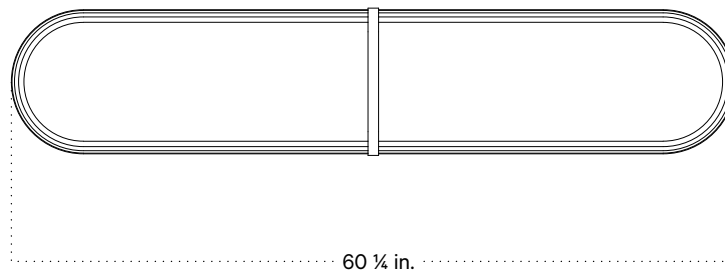
1. 82.5 inch OAL is included in the price of this fixture. Additional length is priced per 6 ft.
2. The minimum OAL for this fixture is 15 inches, and the maximum with no seam is 82.5 inches. With an additional stem the maximum OAL is 154.5 inches with the seam at 77.25 inches.
3. Stems are cut on-site by the installer, a pipe cutter is provided with the fixture.
4. The LED lifetime is 50,000 hours.
5. The driver is contained within the fixture and only the larger canopy provided with the fixture requires a connection to a junction box.
6. If installing on a sloped ceiling please inquire for customization.

Updated October 27, 2023

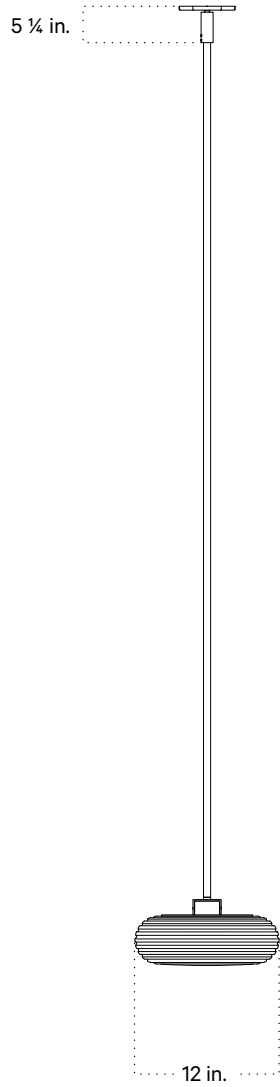
Front View



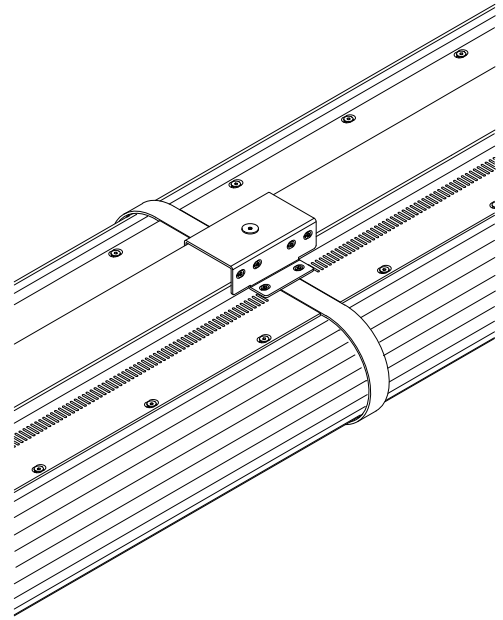
Bottom View



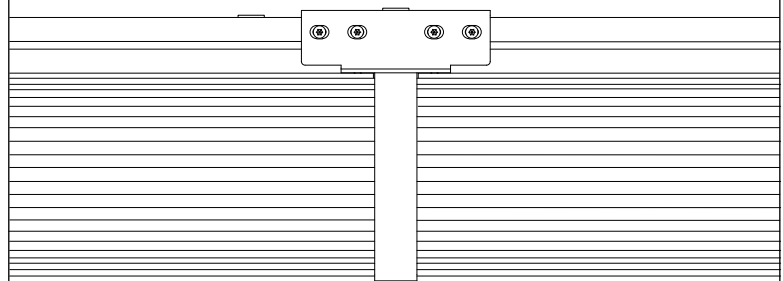
Side View



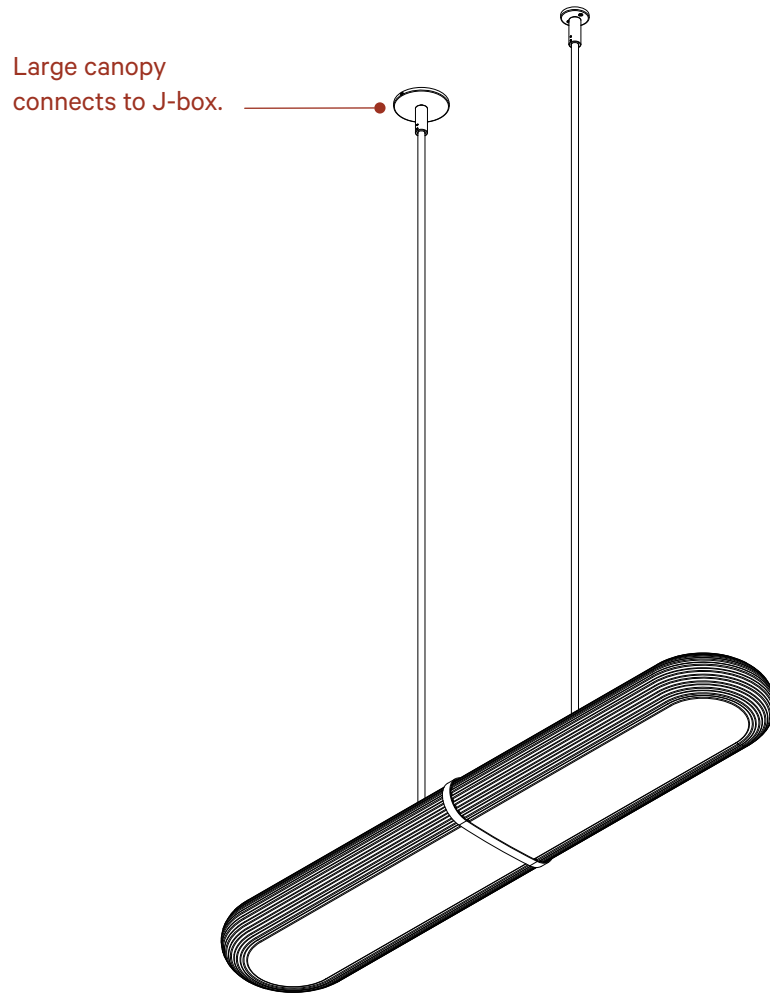
Connection Detail



Connection Detail



Isometric View



Finish Options

Brass, glass, and ceramic samples made or finished by hand may exhibit variability. Available for purchase at incommonwith.com/finishes.

Painted Metal



Black



Bone



Brick





Saga Pendant, Trio

Technical Specifications

Materials	Aluminum, LDPE
Product weight	29 lbs
Lead time	Pre-order
Integrated LED	6,977.1 lm / 1800 K - 3000 K / 97.9 W 95+ CRI / warm on dim
Dimmer	TRIAC / ELV / 0-10V
Stem length	6 ft before a seam
Input Voltage	120-277V
Certifications	ETL listed, damp-rated

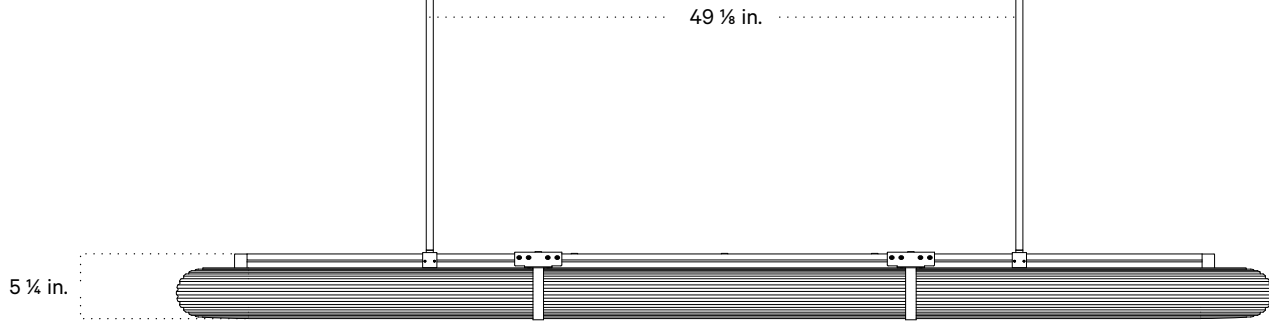


Notes

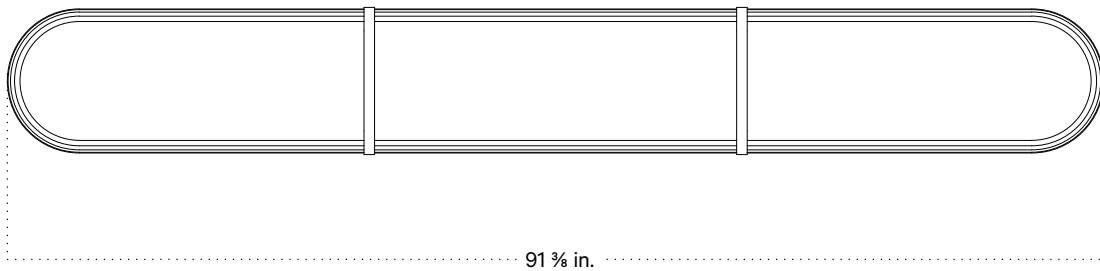
1. 82.5 inch OAL is included in the price of this fixture. Additional length is priced per 6 ft.
2. The minimum OAL for this fixture is 15 inches, and the maximum with no seam is 82.5 inches. With an additional stem the maximum OAL is 154.5 inches with the seam at 77.25 inches.
3. Stems are cut on-site by the installer, a pipe cutter is provided with the fixture.
4. The LED lifetime is 50,000 hours.
5. The driver is contained within the fixture and only the larger canopy provided with the fixture requires a connection to a junction box.
6. If installing on a sloped ceiling please inquire for customization.

Updated October 20, 2023

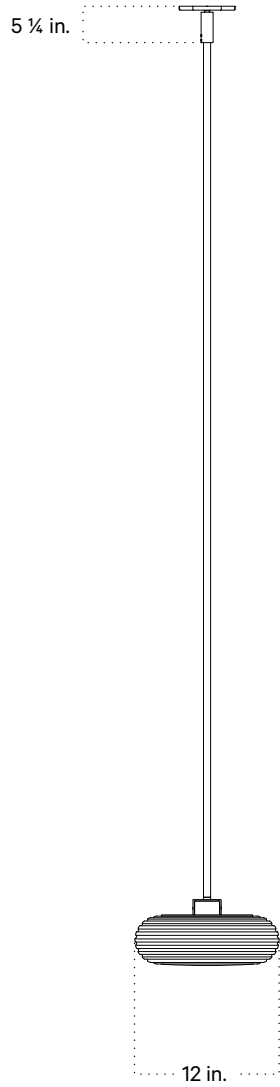
Front View



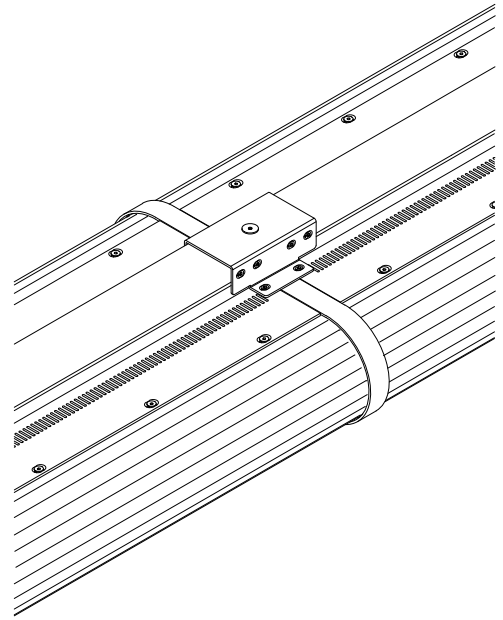
Bottom View



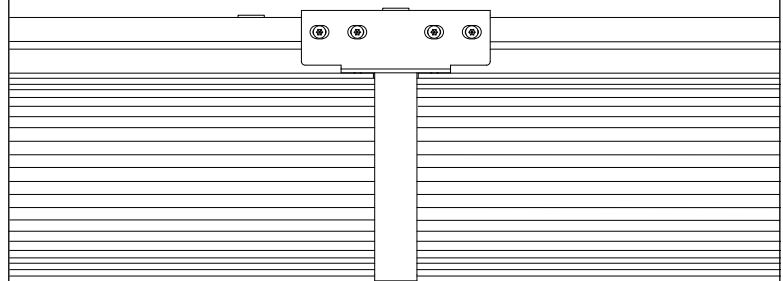
Side View



Connection Detail

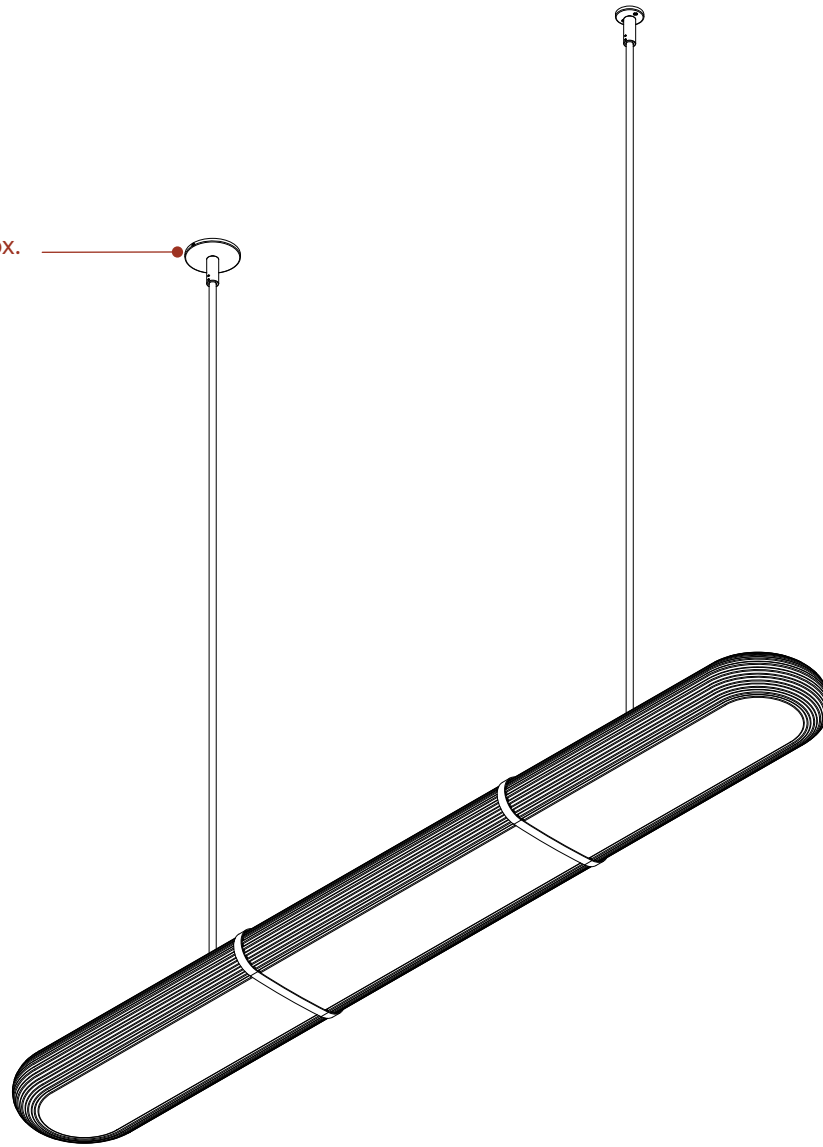


Connection Detail



Isometric View

Large canopy
connects to J-box.



Finish Options

Brass, glass, and ceramic samples made or finished by hand may exhibit variability. Available for purchase at incommonwith.com/finishes.

Painted Metal



Black



Bone



Brick